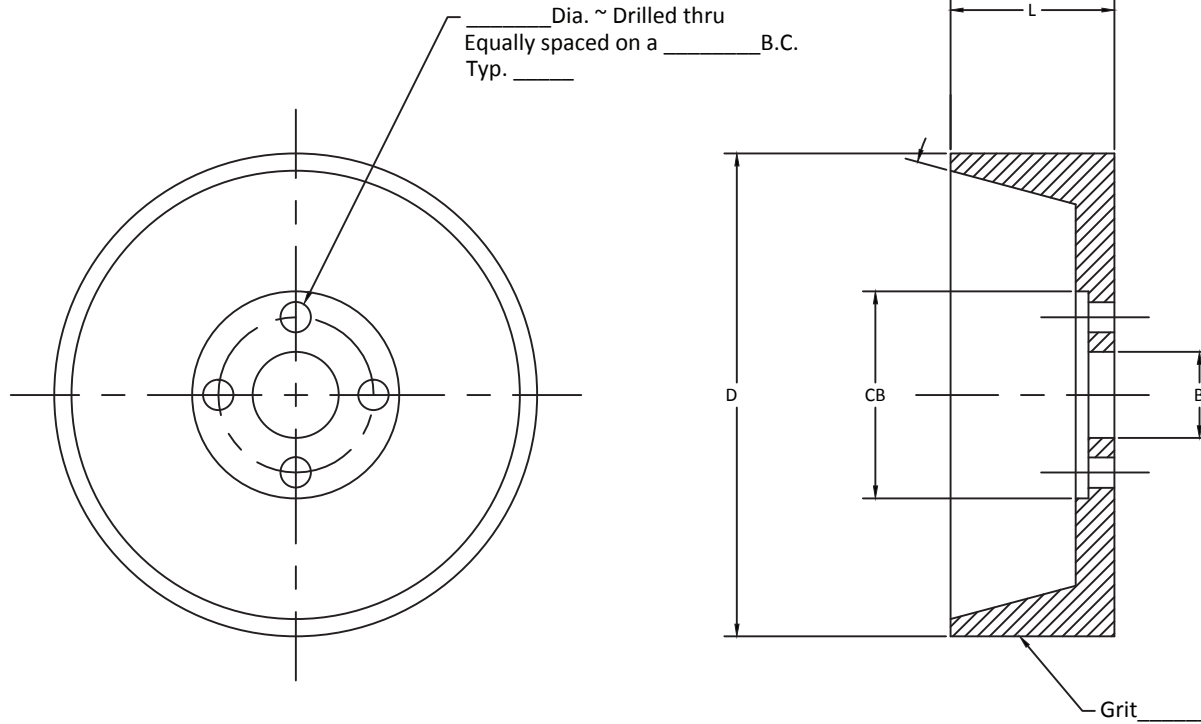


This drawing and the information contained herein is CONFIDENTIAL and PROPRIETARY to Friction Coating Corporation, is received in CONFIDENCE and shall not be used, copied, or disclosed to others without the written permission of Friction Coating Corporation. Doing so will result in legal action.

TUO Shoulder Grind Wheel ~ Straight

Shoulder Grind Wheel ~ Straight Information



D. Diameter: _____
 A. Angle: _____
 B. Bore (Finish grind size): _____
 CB. Counterbore: _____
 L. Length: _____
 Special Instructions:

Company: _____
 Address: _____

 City, State, Zip: _____

 Country: _____
 Contact: _____
 Phone: _____
 Fax: _____
 E-mail: _____

Quantity: _____
 P.O.#: _____

FRICITION COATING 44833 Centre Court
 Clinton Township, MI 48038 • USA
 P 586.731.0990 • F 586.731.0991

Order Form

STANDARD TOLERANCES UNLESS OTHERWISE NOTED:	
0.0000	±0.001
0.000	±0.005
0.00	±0.010
MATERIAL	1018

DATE	DRAWING NO.	
REVISION	DRAWN BY	SHEET

A	INITIAL RELEASE	
SYM.	REVISION RECORD	DATE

* Grit selection: Use our "Grit Chart" located on the grinding wheel page.