

This drawing and the information contained herein is CONFIDENTIAL and PROPRIETARY to Friction Coating Corporation, is received in CONFIDENCE and shall not be used, copied, or disclosed to others without the written permission of Friction Coating Corporation. Doing so will result in legal action.

# Stripper Ring & Holder

Special Instructions: \_\_\_\_\_

\_\_\_\_\_

\_\_\_\_\_

Company: \_\_\_\_\_

Address: \_\_\_\_\_

\_\_\_\_\_

City, State, Zip: \_\_\_\_\_

\_\_\_\_\_

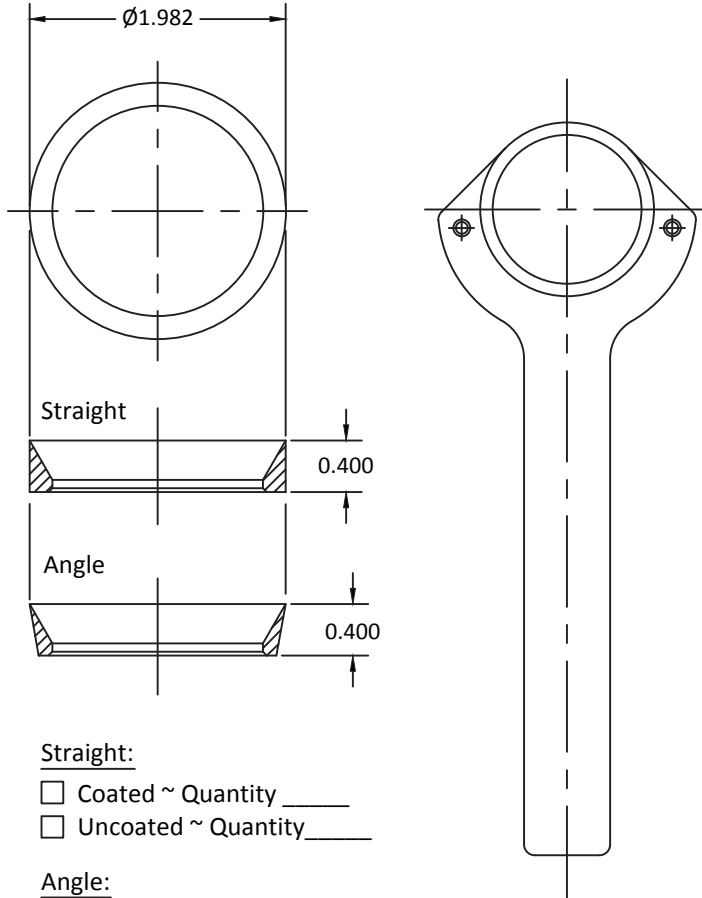
Country: \_\_\_\_\_

Contact: \_\_\_\_\_

Phone: \_\_\_\_\_

Fax: \_\_\_\_\_

E-mail: \_\_\_\_\_



Straight:

- Coated ~ Quantity \_\_\_\_\_
- Uncoated ~ Quantity \_\_\_\_\_

Angle:

- Coated ~ Quantity \_\_\_\_\_
- Uncoated ~ Quantity \_\_\_\_\_

Tool Holder:

- Quantity \_\_\_\_\_

P.O.#: \_\_\_\_\_

	44833 Centre Court Clinton Township, MI 48038 • USA P 586.731.0990 • F 586.731.0991
	<b>ORDER FORM</b>

STANDARD TOLERANCES UNLESS OTHERWISE NOTED:
0.0000 ±0.001
0.000 ±0.005
0.00 ±0.010
Dimensions are in inch

DATE	DRAWING NO.	
REVISION	DRAWN BY	SHEET 1 of 1