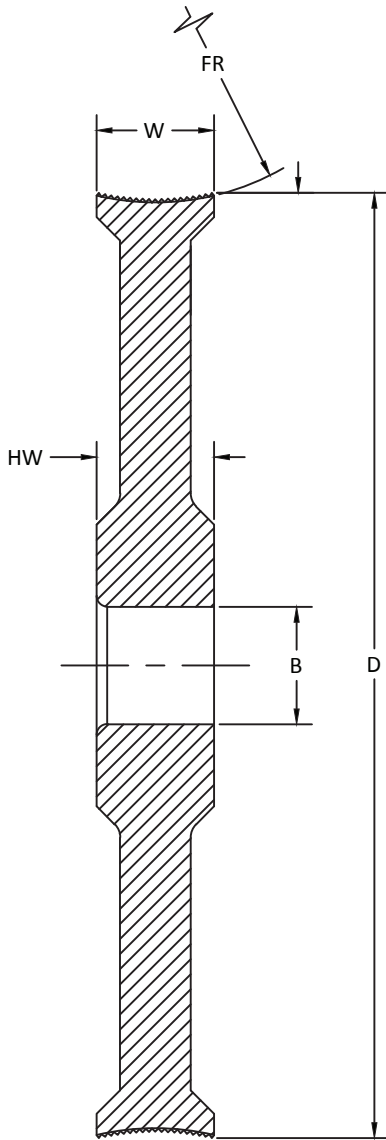


This drawing and the information contained herein is CONFIDENTIAL and PROPRIETARY to Friction Coating Corporation, is received in CONFIDENCE and shall not be used, copied, or disclosed to others without the written permission of Friction Coating Corporation. Doing so will result in legal action.

WSW



Grinding Wheel Information

D.Diameter: _____

W.Width: _____

B.Bore: _____

HW.Hub Width: _____

FR.Face Radius: _____

Special Instructions: _____

Company: _____

Address: _____

City, State, Zip: _____

Country: _____

Contact: _____

Phone: _____

Fax: _____

E-mail: _____

Coating: _____

Quantity: _____

P.O.#: _____

FRICION COATING 44833 Centre Court
Clinton Township, MI 48038 • USA
P 586.731.0990 • F 586.731.0991

ORDER FORM

STANDARD TOLERANCES UNLESS OTHERWISE NOTED:
0.0000 ±0.001
0.000 ±0.005
0.00 ±0.010
Dimensions are in inch

DATE	DRAWING NO.
REVISION	DRAWN BY
SHEET 1 of 1	

* Grit selection: Use our "Grit Chart" located on the grinding wheel page.